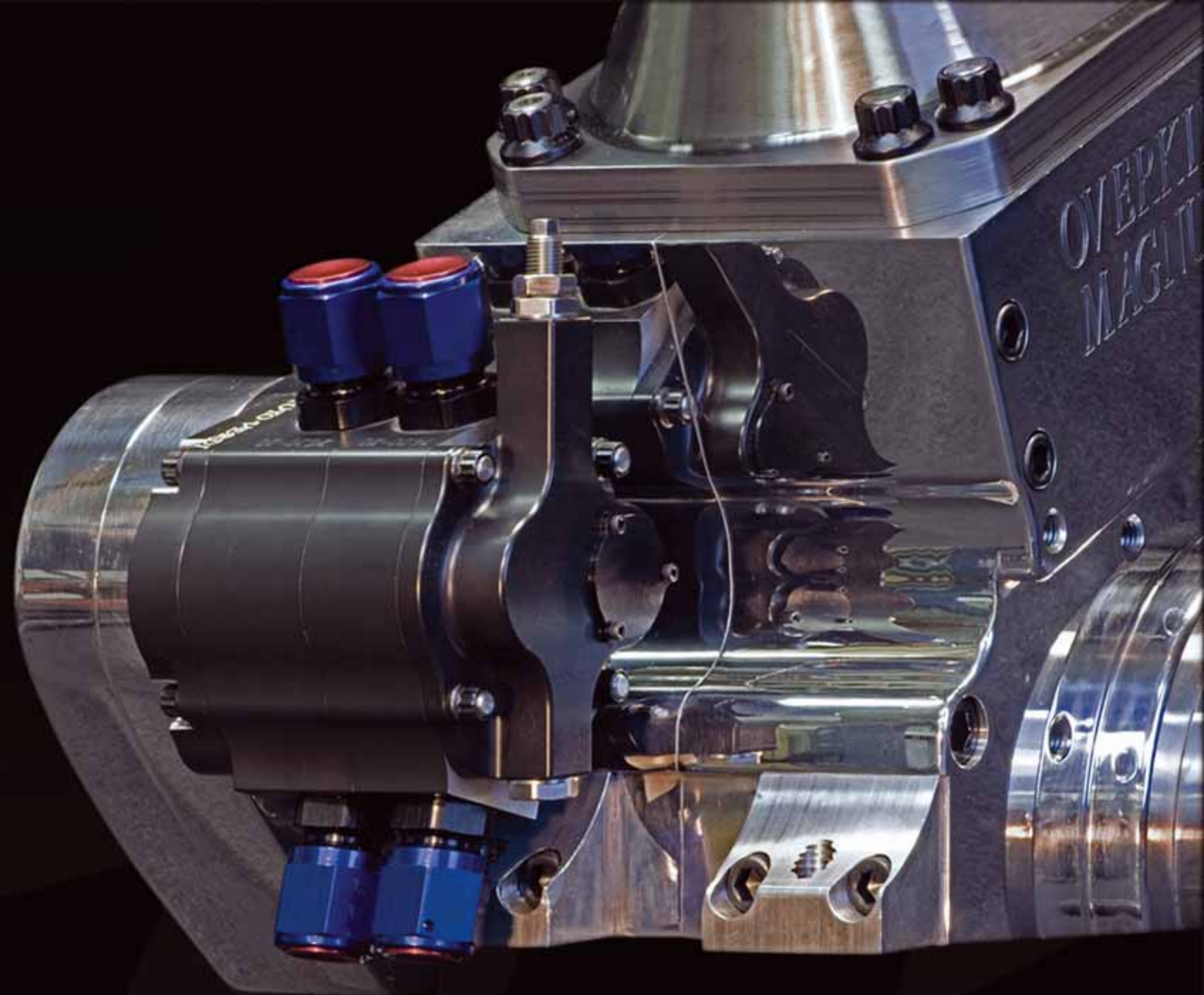


Auto Verdi
Racing OIL PUMPS

NEWS



NEW RELEASE

Auto Verdi is proud to present new models to meet customer requests from all forms of professional motorsport. First out are the ones listed below but coming up shortly is a total new designed pump for blown alcohol engines and mountain motors such as nitrous Pro Mod and IHRA Pro Stock.

Share the success of Auto Verdi performance and durability in your racing engine today!

- Sprint Car/Outlaw pump for front of engine cam-cover mount. It comes with integrated oil filter and is available in different volume size and 3-5 stages.
- Single Stage pump when rules prohibits dry sump but allows external pump. Available in different volume sizes and brackets for most mounting applications.
- Top Fuel Harley pump that bolts on to side-by-side bottom ends like Overkill and PRP. Angled AN-fittings gives clearance from engine block/brackets.

Auto Verdi
Racing OIL PUMPS

Auto Verdi USA: Jarmos Custom Auto
1260 Logan Ave. Unit A-1 • Costa Mesa
CA 926 26 • USA • ph: (714) 557 1506
fax: (714) 557 1552 • cell: (714) 267 7601
jarmos@earthlink.net • www.autoverdi.com